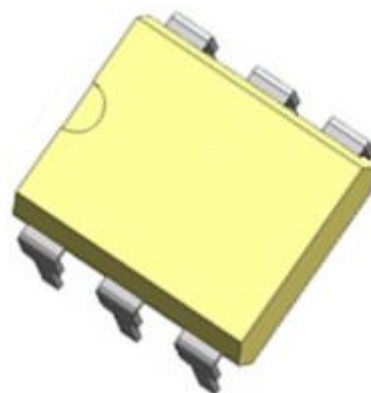


YOMB/1006——1A 60V Opto-MOS

概述 Features

- 常闭型 N.C. (Normally close)
- 负载电流至1A Load current up to 1A
- 击穿电压60V Breakdown voltage 60V
- 介质耐压5000V Dielectric strength 5000V
- 符合RoHS RoHS compliant

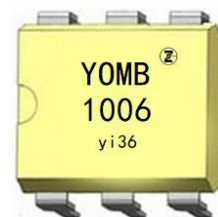
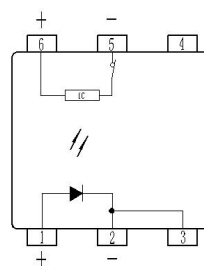


应用 Applications

- 高速检测设备 High-speed inspection machines
- 仪表（煤气，油，电和水） Meters (gas, oil, electric and water)
- 电子开关 Electronic switching
- 医疗设备-患者/设备隔离 Medical equipment-patient/equipment isolation
- 航空 Aerospace
- 工业控制 Industrial control

打印标志 Marking information

Part number	Package	Marking
YOMB/1006	DIP6	YOMB 1006
YOMB/1006S	SMD6	YOMB 1006



极限值 Absolute maximum ratings

(Ta=25°C)

特性参数/Parameter		符号/Symbol	测试条件/Test condition	最小值/Min.	典型值/Typ.	最大值/Max.	单位/Unit
输入端/Input	LED 反向电压/LED reverse voltage	V_R		6			V
	LED 正向电流/LED forward current	I_F				50	mA
	功耗/Power dissipation	P_{in}				50	mW
输出端/Output	击穿电压/Breakdown voltage	BV_{DS}		60			V
	功耗/Power dissipation	P_{out}				800	mW
	额定电流/On-state current	I_L				1	A
	峰值电流/Peak current	I_{peak}	100ms (1 shot), VL=DC		1.8		A
介质耐压/I/O Dielectric strength *		V_{ISO}	$I_{ISO} \leq 0.3mA$	5000			V_{rms}
工作温度/Operating temperature		T_{opr}		-30		85	°C
储存温度/Storage temperature		T_{stg}		-40		125	°C

*： RH=40 to 60%, T=20~30°C, AC for 1minute.

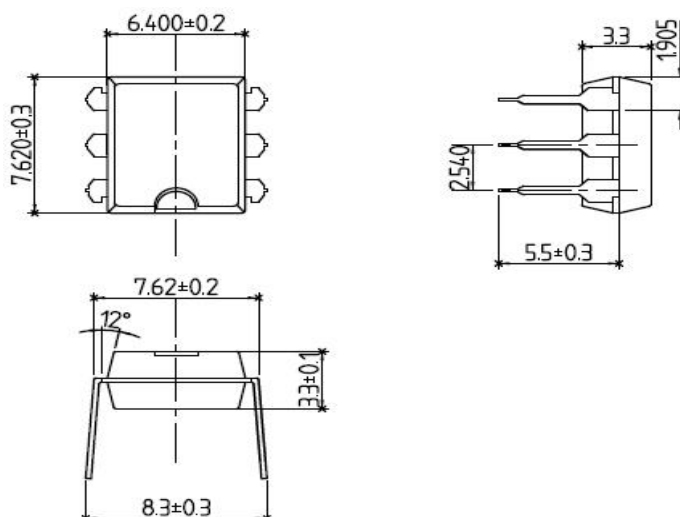
电参数 Electrical parameters

(Ta=25°C)

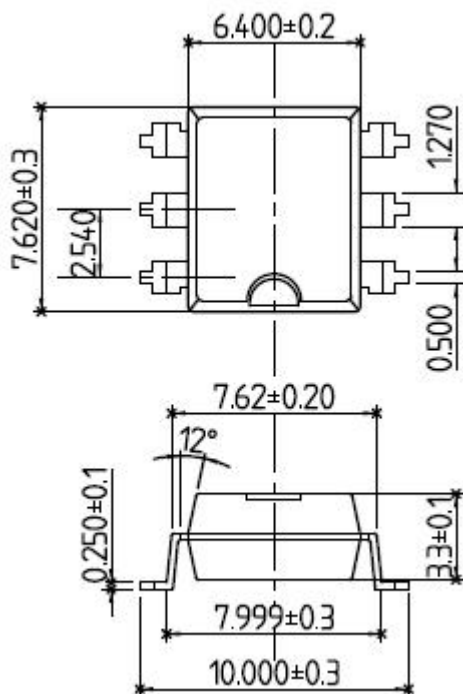
特性参数/Parameter		符号 /Symbol	测试条件 /Test condition	最小 值 /Min.	典型值 /Typ.	最大值 /Max.	单位 /Unit
输入端/Input	LED 正向电压/LED forward voltage	V_F	$I_F=10mA$		1.2	1.3	V
	LED 反向电流/LED reverse current	I_R	$V_R=5V$			10	μA
输出端/Output	断态泄漏电流 /Output off-state leakage current	I_{Leak}	$I_F=10mA, V_o=60V$			5	μA
耦合特性 /Transfer characteristics	LED 关断电流/LED turn off current	I_{off}		1.2			mA
	关断时间/Turn off time	T_{off}	$I_{in}=10mA, I_L=1A$			1	ms
	导通电阻/Output on-state resistance	R_{on}	$V_{in}=0V, I_L=1A$			0.8	Ω
	导通时间/Turn on time	T_{on}	$V_{in}=0V, I_L=1A$			4	ms
	电容/I/O capacitance	C				10	pF

外形尺寸 Outline dimension :mm

1、DIP6



2、SMD6

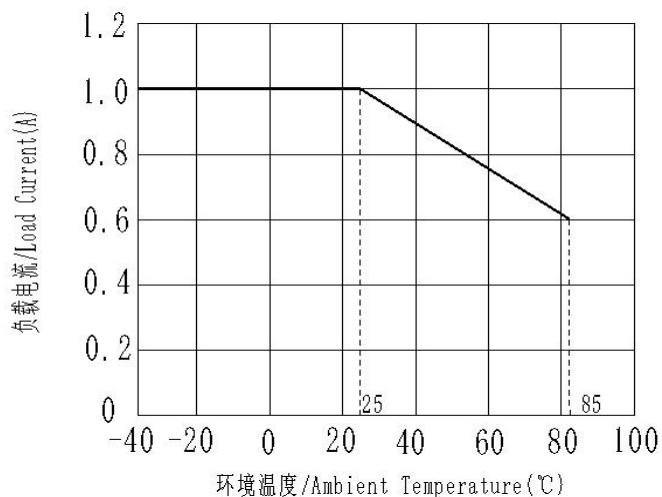


订货信息 Ordering information

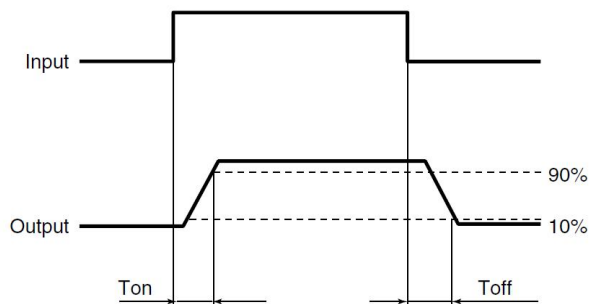
订货信息/Ordering information						
	Y	OM	B	100	6	D/S
公司商标代号 Company symbol						
MOS 直流输出 SSR: MOS DC Output SSR						
常开型 N.O.: 默认 Nil 常闭型 N.C.: B						
负载电流 Load current: 100-1A						
击穿电压 BV_{DSS} : 6-60V						
D: DIP (默认 Nil) S: SMD						

特性曲线 Characteristic data

1. 负载电流与环境温度关系曲线
Load current VS. ambient temperature

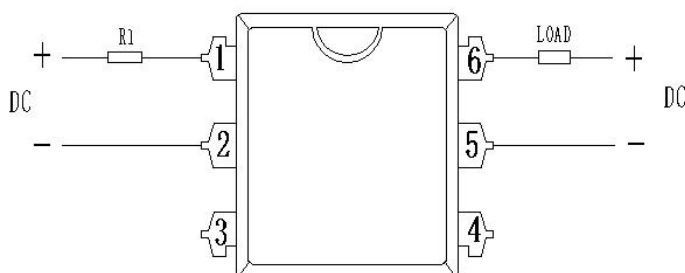


接通和关断时间关系 Turn on and turn off time



接线图 Wiring diagram

R1:330 Ω 5V
R1:800~1000 Ω 12V
R1:1.5~2.0K Ω 24V



注意事项 Notes

- a) 工作环境温度超过 25℃时请降额使用。参见特性曲线。
When ambient temperature is above 25℃, the load current must be reduced. (see characteristic data).
- b) 继电器接线时, 务必保证输入端极性的正确, 以免损坏继电器。
Ensuring the polarity is correct when connecting the input lines, otherwise the wrong connection will damage the relay.

关于防静电对策 Cautions for static electricity

- a. 操作 MOS 输出继电器的作业人员, 请穿戴防静电工作服, 通过 500kΩ~1MΩ 左右的保护电阻, 实施人体接地。
a. Employees handling relays should wear anti-static clothes and should be grounded through protective resistance of 500kΩ to 1MΩ.
- b. 请在作业台上装有带导电性的金属板或具有防静电的专用板, 并对测量仪器和治具等实施接地。
b. A conductive metal sheet should be placed over the work table. Measuring instruments and jigs should be grounded.
- c. 使用电烙铁时, 对电烙铁前端进行接地。(建议使用低电压用的电烙铁。)
c. When using soldering irons, either use irons with low leakage current, or ground the tip of the soldering iron. (Use of low-voltage soldering irons is also recommended.)
- d. 组装时使用的设备等也应正确的接地。
d. Devices and equipment used in assembly should also be grounded.
- e. 对印刷电路板和机器进行包装时, 请避免使用发泡苯乙烯、聚乙烯等带电性的高分子材料。
e. When packing printed circuit boards and equipment, avoid using high-polymer materials such as foam styrene, plastic, and other materials which carry an electrostatic charge.
- f. 对 MOS 输出继电器进行储存和搬运时, 请在不易产生静电的环境(例如湿度 45~60%)中通过导电性包装材料进行保护。
f. When storing or transporting relays, the environment should not be conducive to generating static electricity (for instance, the humidity should be between 45 and 60%), and relays should be protected using conductive packing materials.